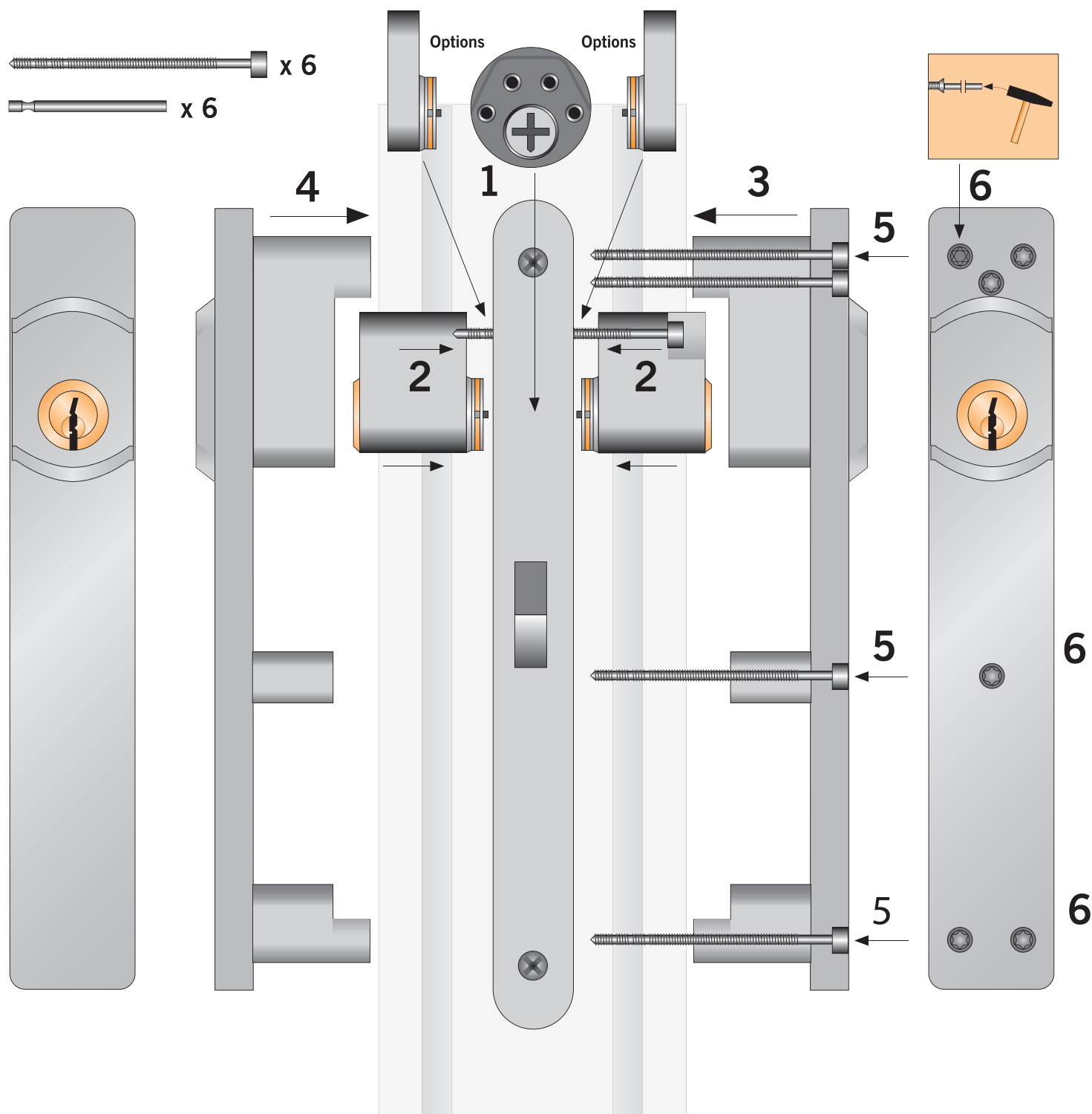


NCH4NP

NCH4NP



NCH4NPH

NCH4NPH

